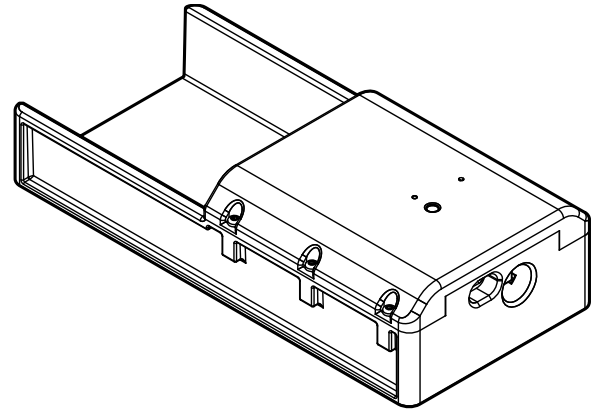


# BA30 Smart Dock

## KEY FEATURES

The Smart Dock allows you to:

- Charge a BA30 LiPo battery when used with a Dephy BA30 Charger (purchased separately)
- Put the BA30 in Nap mode (ultra-low power mode for extended storage) or wake it up with the press of a button
- Connect your BA30 to your PC via USB to visualize internal data with Dephy's Plan GUI



## COMPLIANCE

- This device complies with Part 15 of the FCC Rules
- CAN ICES-003(B) / NMB-003(B)
- Compliance information continues on page 3

FIGURE 1. SMART DOCK WITH BATTERY

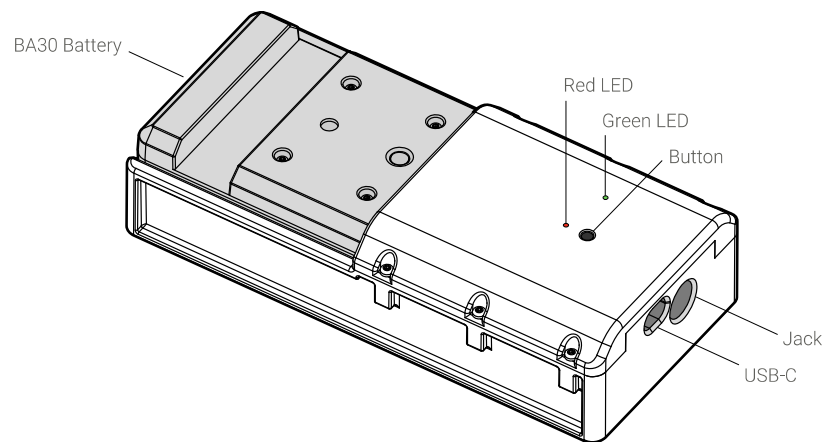
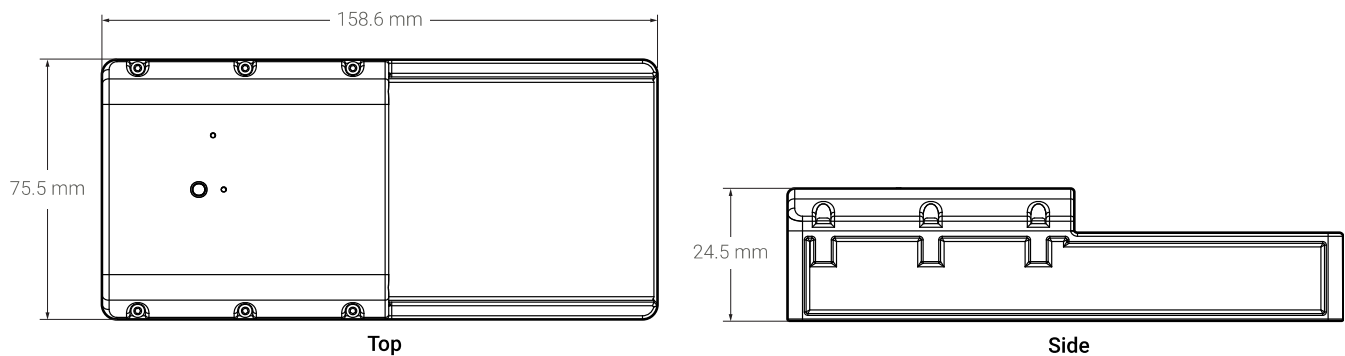


FIGURE 2. SMART DOCK DIMENSIONS



## SAFETY INFORMATION

- **Make sure to read and understand the [BA30 LiPo Battery Data Sheet Safety Guide](#) as well as [dephy.com/safety](#) before using this Smart Dock with a BA30 LiPo Battery.**
- Do not connect USB-C cable and Dephy Charger at the same time.
- Do not connect anything other than a Dephy Battery Charger to the barrel jack.

## TECHNICAL DETAILS

- The USB port is for data only. It cannot be used to charge the BA30 LiPo Battery or to power other devices from the BA30 LiPo Battery.
- **Charging instructions:**
  - Make sure the BA30 LiPo Battery is awake (slow LED pulse).
  - Connect the BA30 Charger to the BA30 Smart Dock using the barrel connector. Plug the BA30 Charger into a wall outlet.
  - Insert the BA30 LiPo Battery in the BA30 Smart Dock. Please refer to the [BA30 LiPo Battery Data Sheet](#) for a description of the charging states and associated color codes.
  - Once charging is complete, remove the BA30 LiPo Battery from the BA30 Smart Dock and disconnect the BA30 Charger.
- **To exit Nap Mode:**
  - Power the BA30 Smart Dock with the USB-C port. Do not connect the BA30 Charger.
  - Insert the BA30 LiPo Battery into the Smart Dock.
  - Press the button (briefly).
  - The BA30 LiPo Battery LED will show the rainbow pattern.
  - Charge the battery immediately.
- **Entering Nap Mode:**
  - Power the BA30 Smart Dock with the USB-C port. Do not connect the BA30 Charger.
  - Insert the BA30 into the Smart Dock.
  - Press the button 3 times. The Smart Dock LED will pulse Red. The BA30 LED will pulse Green, then be Steady Red for a brief moment.
  - All LEDs will turn OFF, the battery is now napping indefinitely.
- Button is recessed to prevent accidental presses.
- USB drivers: In case your OS does not automatically install virtual COM port (VCP) drivers please refer to the manufacturer's product page: <https://ftdichip.com/products/ft230xs/>
- **LED Colors - Smart Dock (not BA30 LiPo Battery)**
  - A green LED is ON when the USB cable is connected. It indicates that the circuit is powered.
  - A red LED turns ON when the button is pressed. It indicates that the internal circuitry is generating the signal required by the BA30.
  - For BA30 LED colors please refer to the [BA30 LiPo Battery Data Sheet](#)
- Using the GUI
  - Insert a BA30 LiPo Battery in the Smart Dock.
  - Connect your Smart Dock to your computer with a USB-C cable.
  - Write down the COM port number.
  - Open Plan GUI, select the COM port, and start streaming at 20 Hz.
  - For more details about using Plan GUI refer to the [Software User Guide](#)

## ACCESSORIES

- BA30 LiPo Battery
- Dephy Battery Charger
- Dephy Plan GUI
- USB-C cable: Assman A-USB31C-20A-200A (Digikey #123-A-USB31C-20A-200A-ND)

## Compliance

### Supplier's Declaration of Conformity 47 CFR § 2.1077 Compliance Information

**Unique Identifier:** BA30 Smart Dock

#### Responsible Party – U.S. Contact Information

Dephy, Inc.  
63 Great Road  
Suite 204  
Maynard, MA 01754  
admin@dephy.com

#### FCC Compliance Statement

This device complies with Part 15 of the FCC Rules. Operation is subject to the following two conditions: (1) This device may not cause harmful interference, and (2) this device must accept any interference received, including interference that may cause undesired operation.

<b>Date</b>	May 11, 2021
<b>Revision</b>	C_0002_DS_0003_V02_SMARTDOCK
<b>Created by</b>	JF Duval
<b>Reviewed by</b>	Luke Mooney
<b>Approved by</b>	Matt Mooney <i>mgm</i>
<b>Purpose</b>	Datasheet for the BA30 Smart Dock that has been reviewed and approved for release